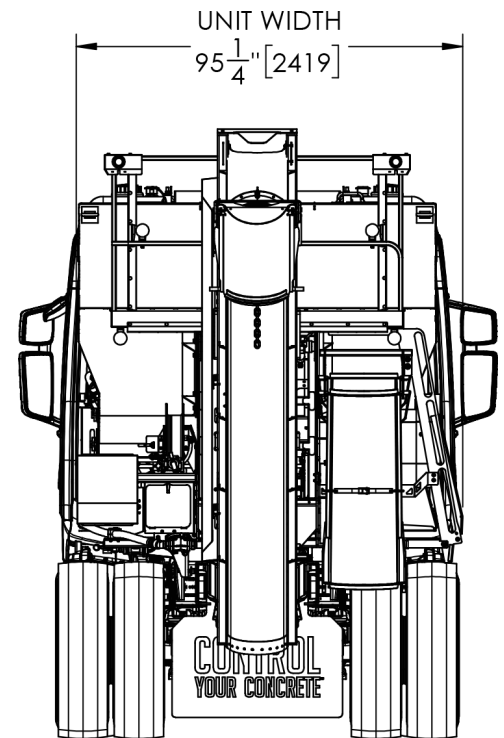
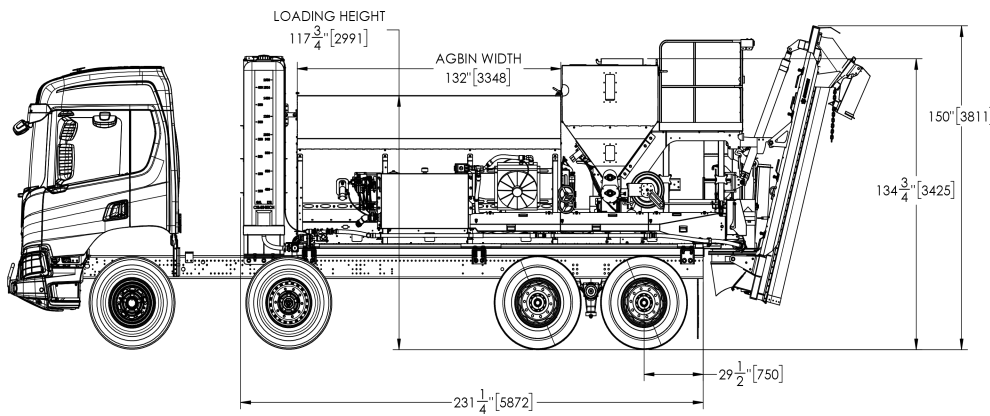


# CONTROL YOUR CONCRETE™

WITH THE C60LW ELECTRONIC MIXER



## C60LW Specifications\*

<b>AG-BIN CAPACITY</b>	8m <sup>3</sup>
<b>CEMENT BIN CAPACITY</b>	2.8m <sup>3</sup>
<b>PRODUCTION RATE</b>	46m/hr
<b>MIXER DIAMETER</b>	12 inches/.3 meters
<b>MIXER SPEED (MAX)</b>	260 RPM
<b>CONVEYOR SPEED (MAX)</b>	50 RPM
<b>WATER TANK (Baffled)</b>	1930L
<b>HIGH FLOW ADMIX TANK</b>	132L
<b>LOW FLOW ADMIX TANK</b>	45L
<b>POWER SWIVEL</b>	122 Degrees

\*Specifications provided are approximations  
 \*Standard unit color is white

## ADDITIONAL FEATURES

- Electronic Control Display
- Two Speed Cement Bin
- Water Flow Meter
- Admix Flow Meters
- 360° Swivel Chute
- 5 LED Work Lights
- Work Platform
- Sand, Stone, Cement Vibrators
- IBS Bearing
- Water Hose Reel
- Power Swivel